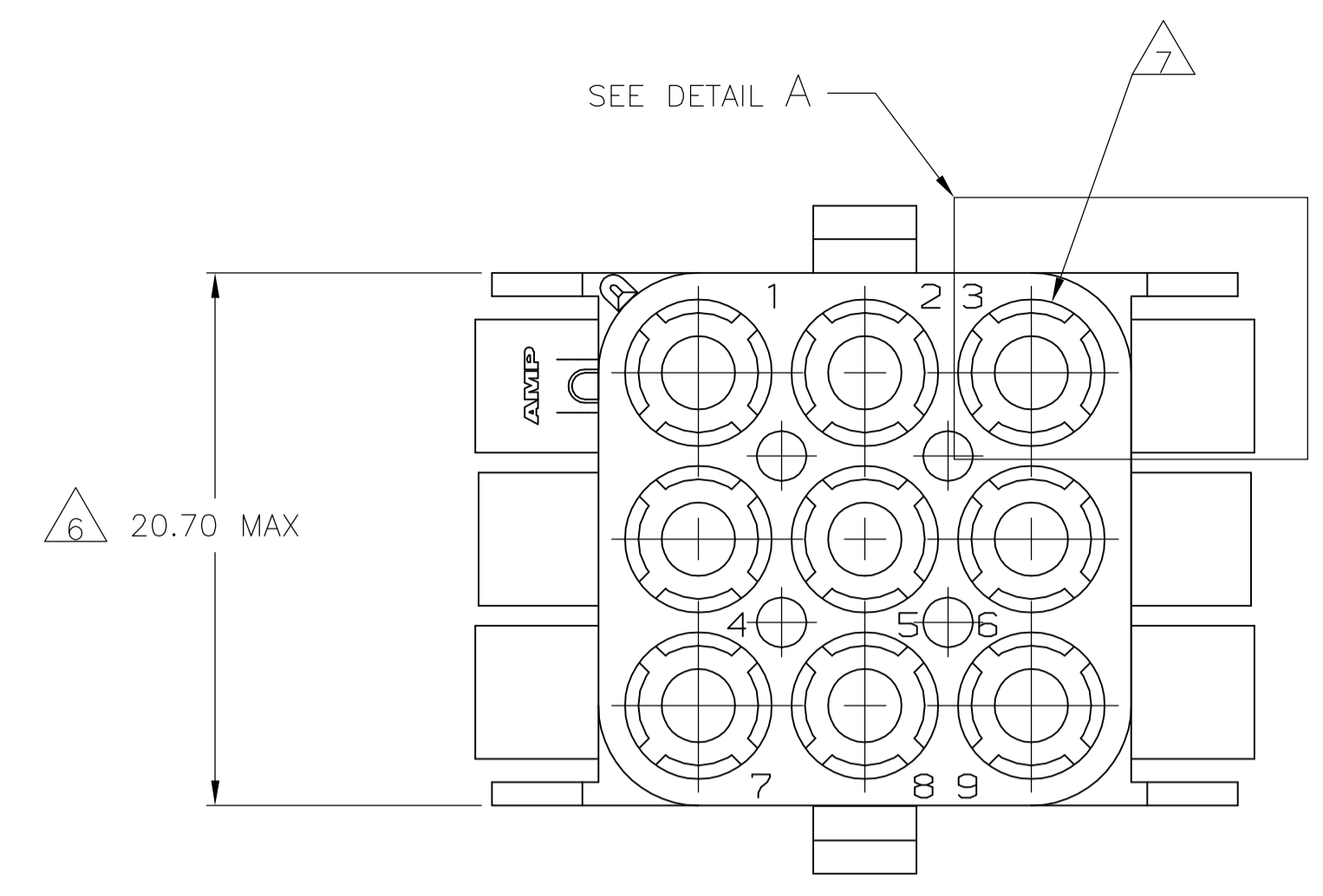
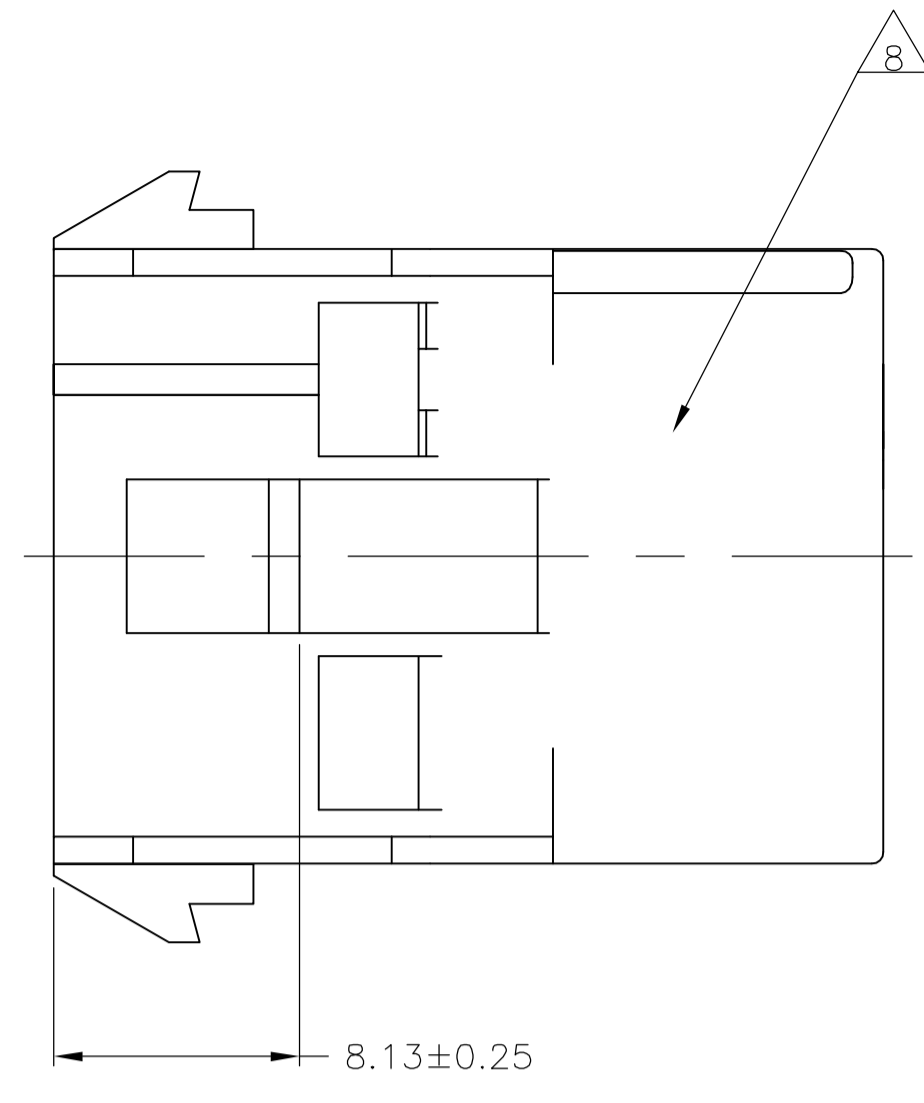
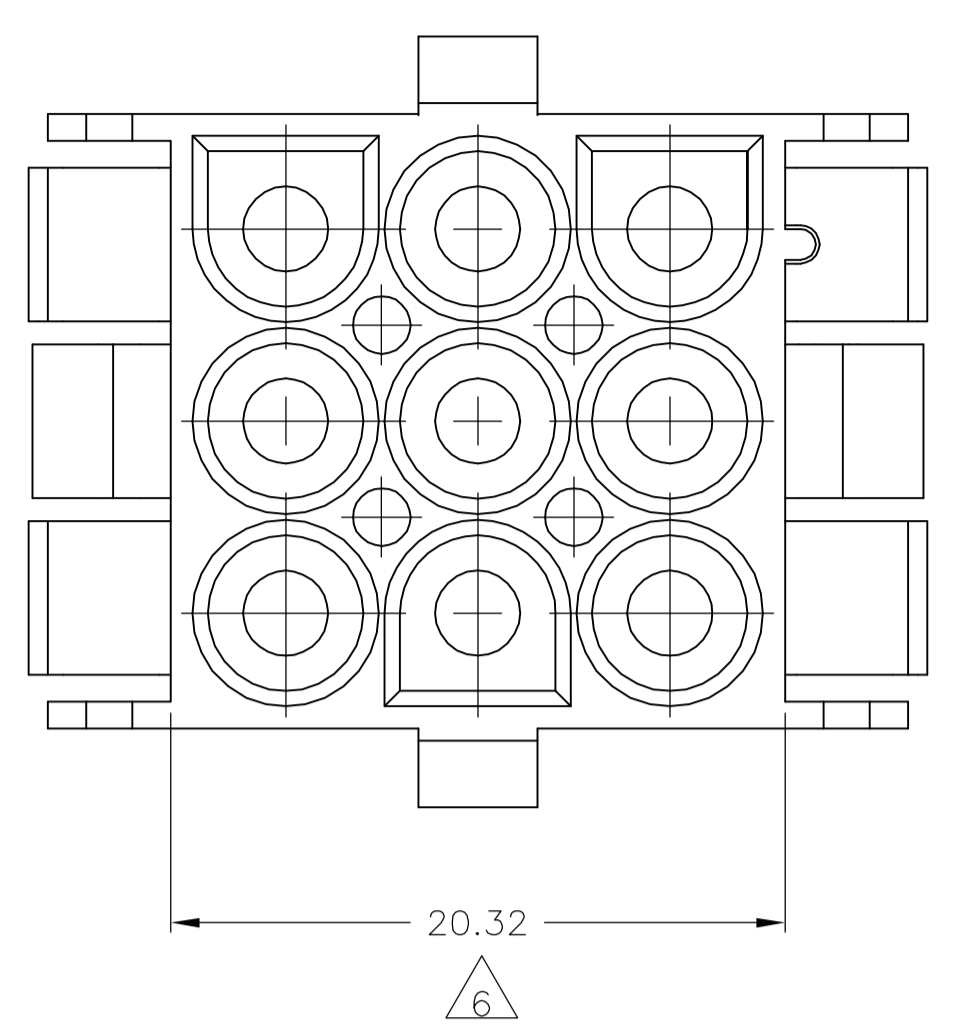
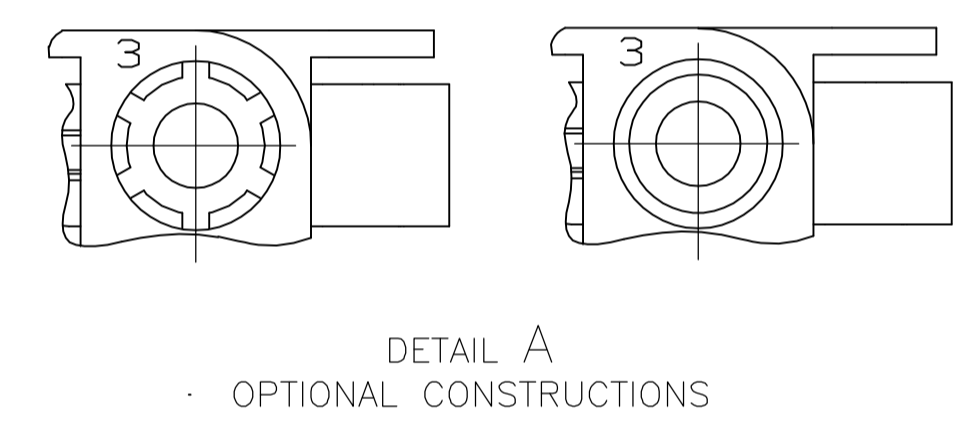


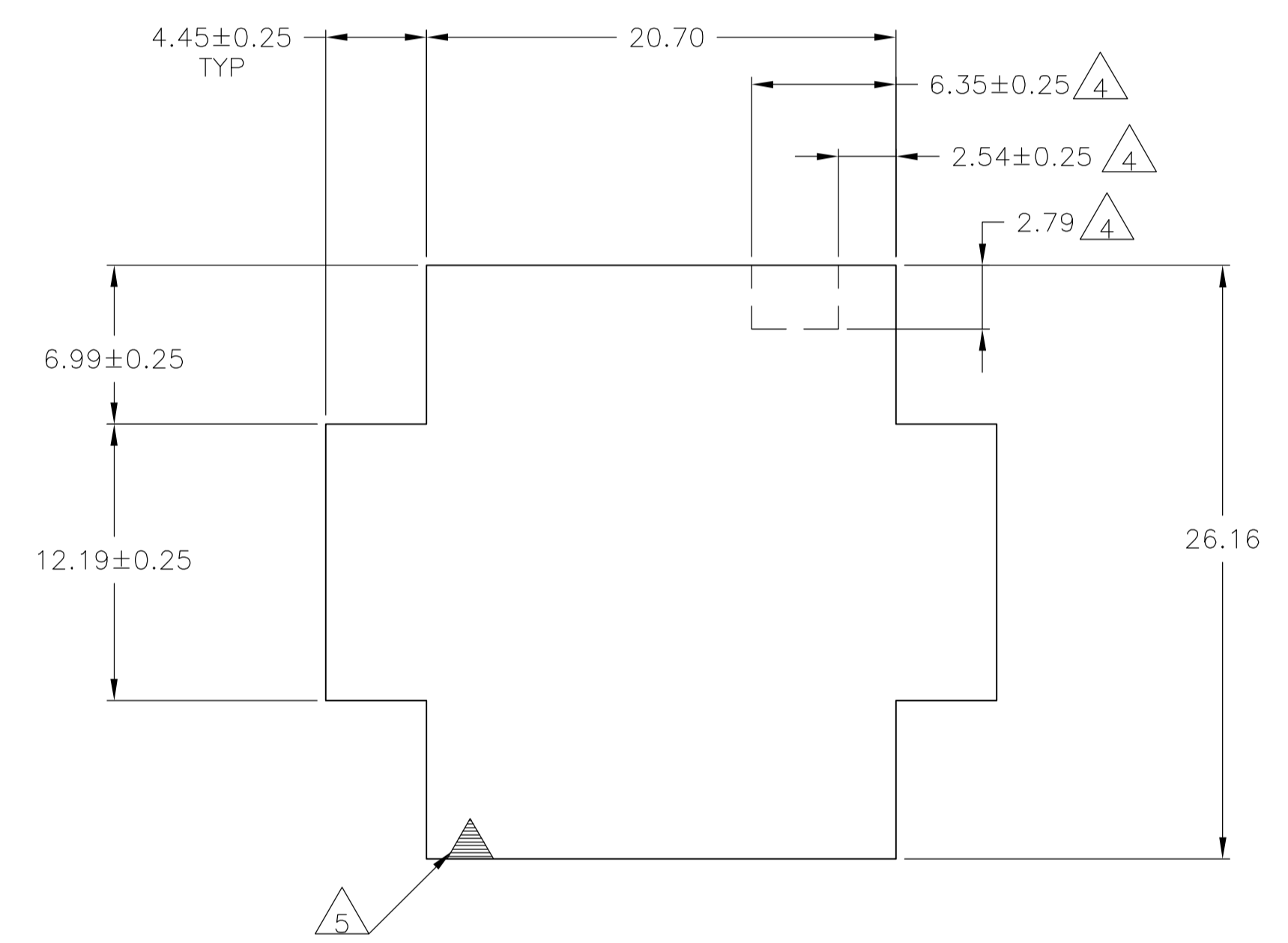
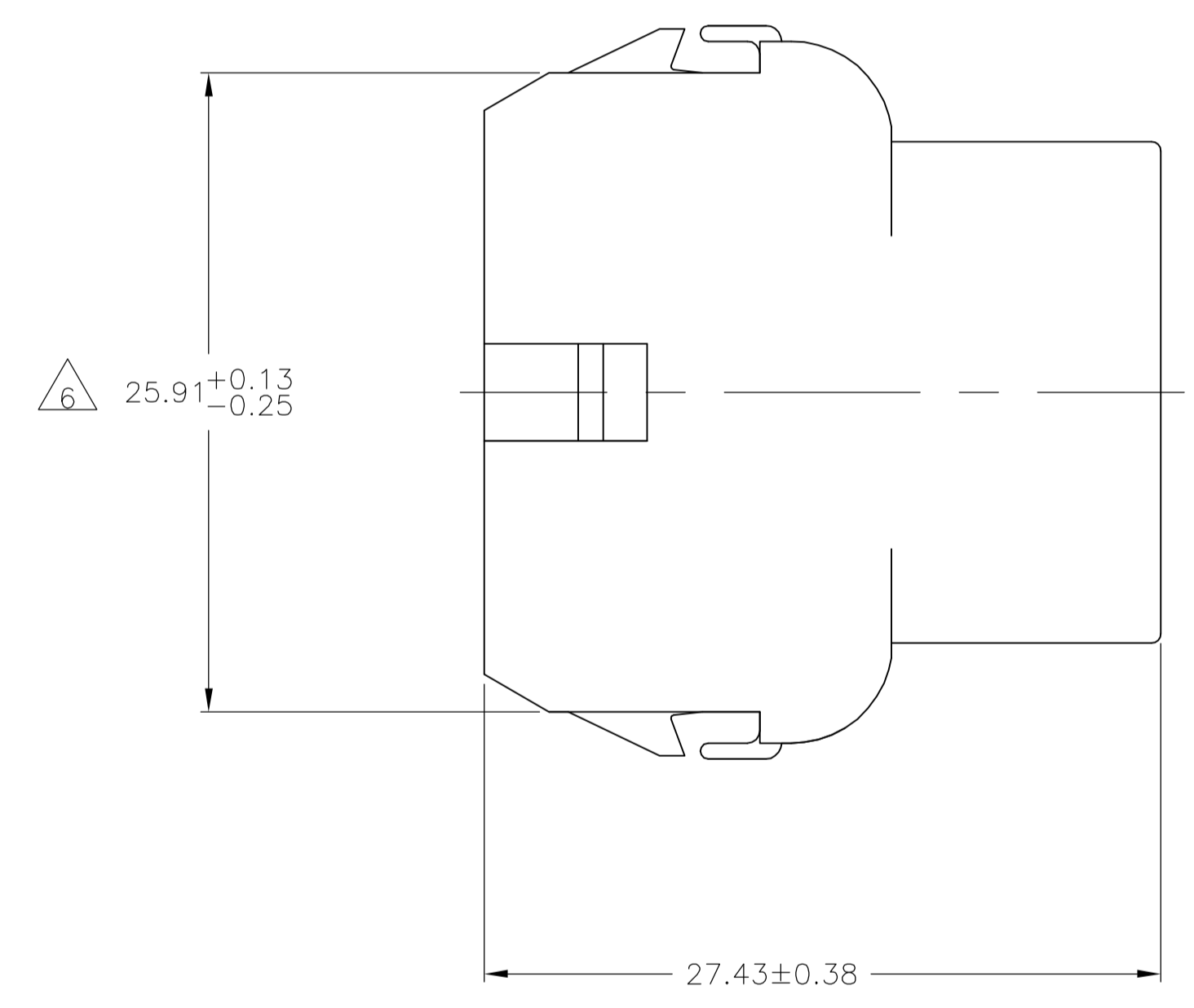
LOC	DIST	REVISIONS			
CM	00	REV	DESCRIPTION	DATE	BY
AK	ECO-06-013891			01SEP06	BSV/GSR



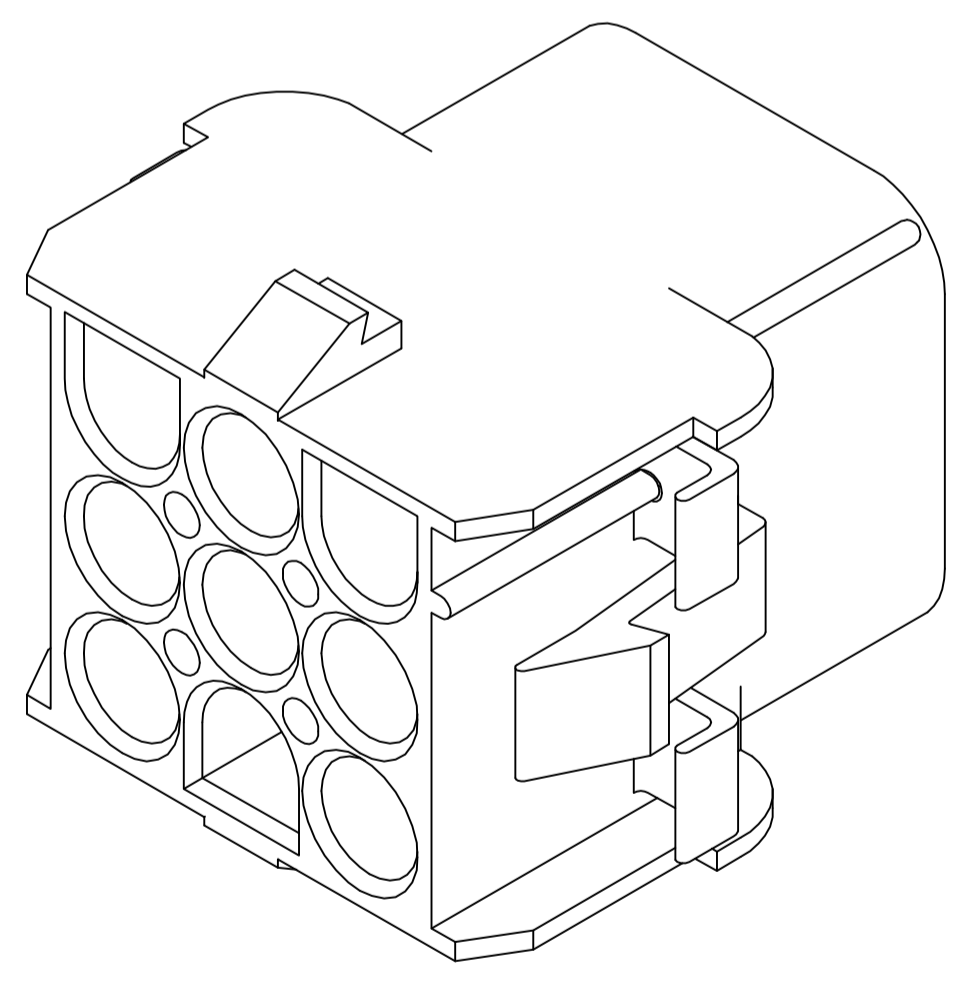
- MATES WITH APPROPRIATE UNIVERSAL MATE-N-LOK™ PLUG.
- RECOMMENDED PANEL THICKNESS 0.76 - 2.29.
- PANEL MUST BE PUNCHED SO THAT THE HOUSING ENTERS THE PANEL IN THE SAME DIRECTION AS THE PUNCH.
- OPTIONAL FOR KEYING HOUSING IN PANEL.
- CIRCUIT NUMBER 1 LOCATION.
- DIMENSION REPRESENTS POTENTIAL MAXIMUM GROWTH DUE TO MOISTURE ABSORPTION.
- FOUR RIBS EQUALLY SPACED, NO SPECIFIC ORIENTATION. NO RIBS OR SIX RIBS EQUALLY SPACED, NO SPECIFIC ORIENTATION, OPTIONAL.
- UNDERWRITERS RECOGNIZED COMPONENT LOGO AND CSA CERTIFICATION LOGO TO BE LOCATED ONCE EACH ON SIDE OF HOUSING.



DETAIL A
OPTIONAL CONSTRUCTIONS



RECOMMENDED PANEL CUT OUT



3-DIMENSIONAL MODEL
NTS

MM	IN	MM	IN
6.35	.250	-	-
4.45	.175	27.43	1.080
2.79	.110	26.43	1.041
2.54	.100	25.91	1.020
2.29	.090	20.70	.815
0.76	.030	20.32	.800
0.38	.015	12.19	.480
0.25	.010	8.13	.320
0.13	.005	6.99	.275
MM	IN	MM	IN

CONVERSION TABLE

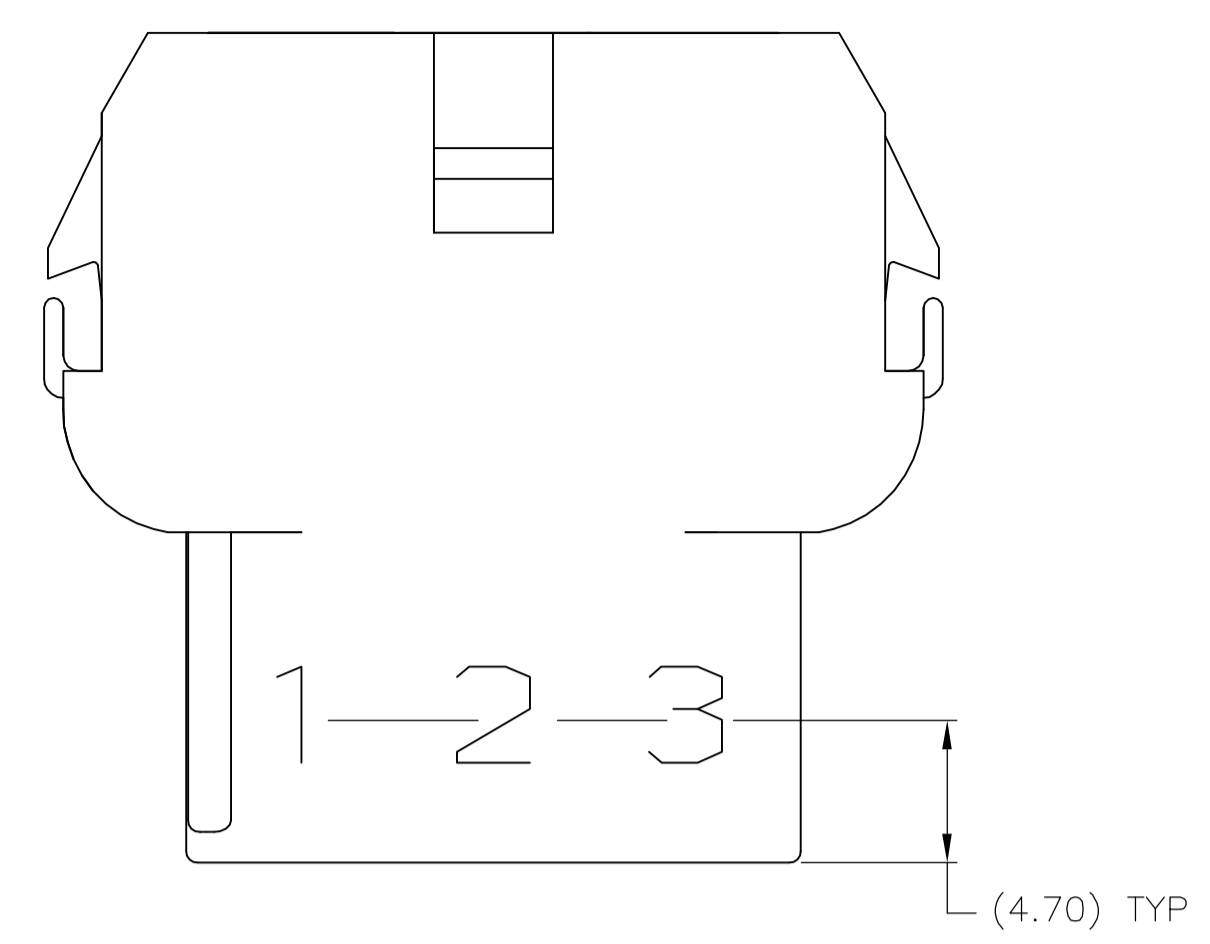
BLACK	1-480707-9
GRAY	1-480707-8
BLUE	1-480707-6
GREEN	1-480707-5
YELLOW	1-480707-4
ORANGE	1-480707-3
RED	1-480707-2
BROWN	1-480707-1
NATURAL	1-480707-0
COLOR	PART NO

METRIC

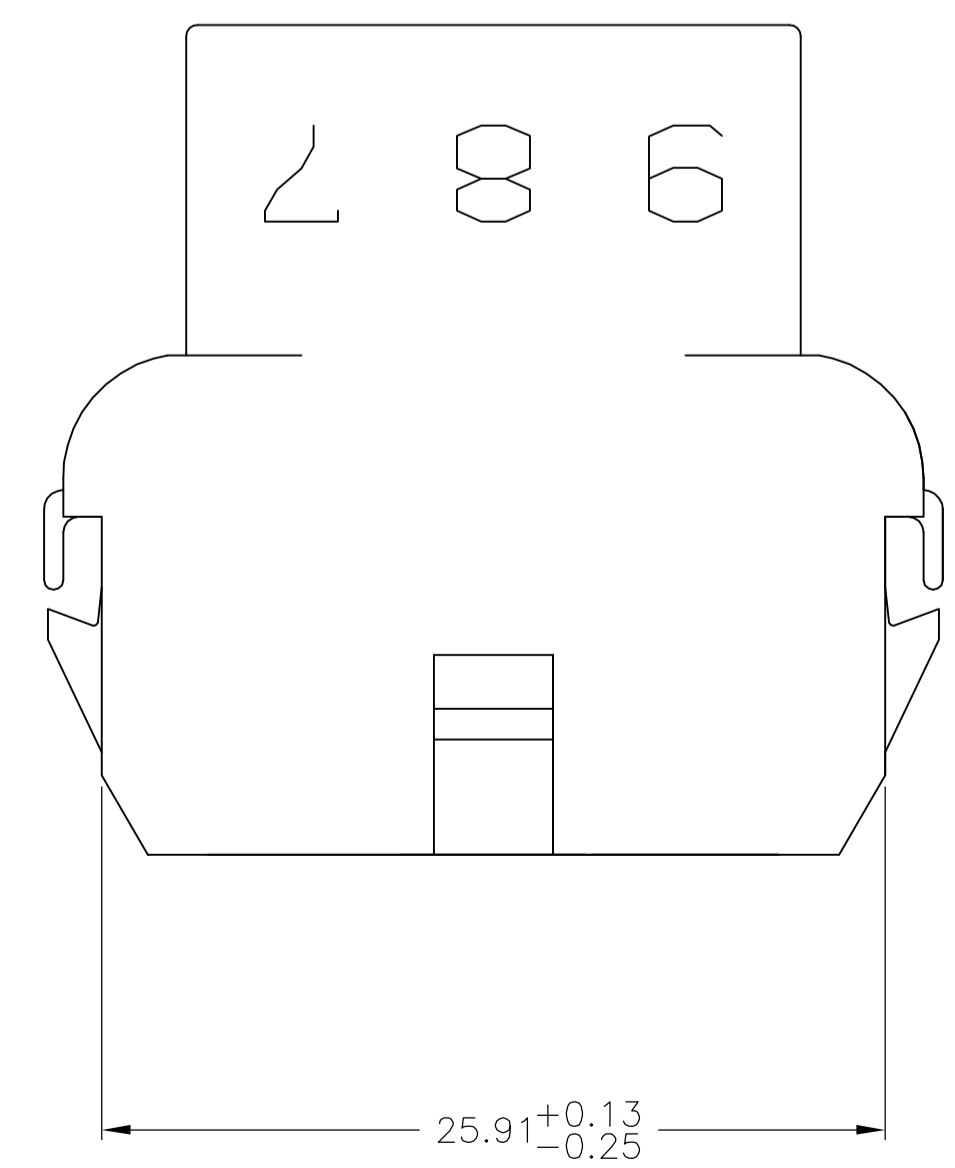
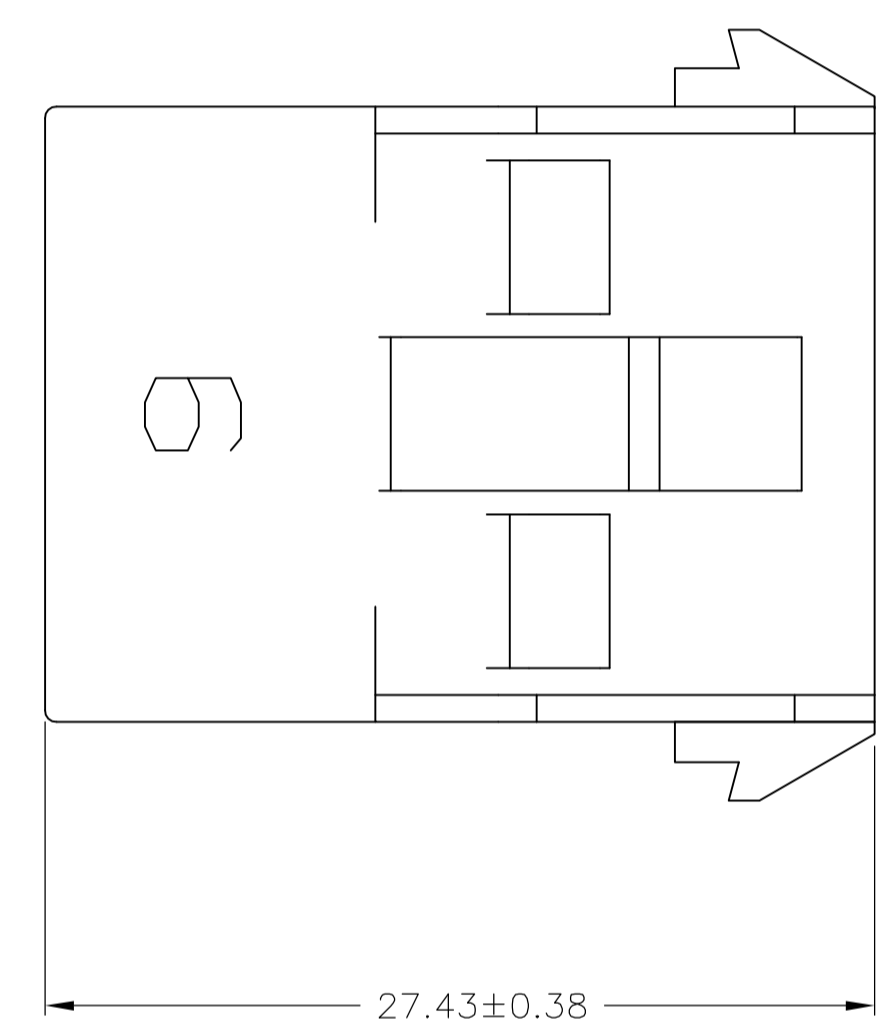
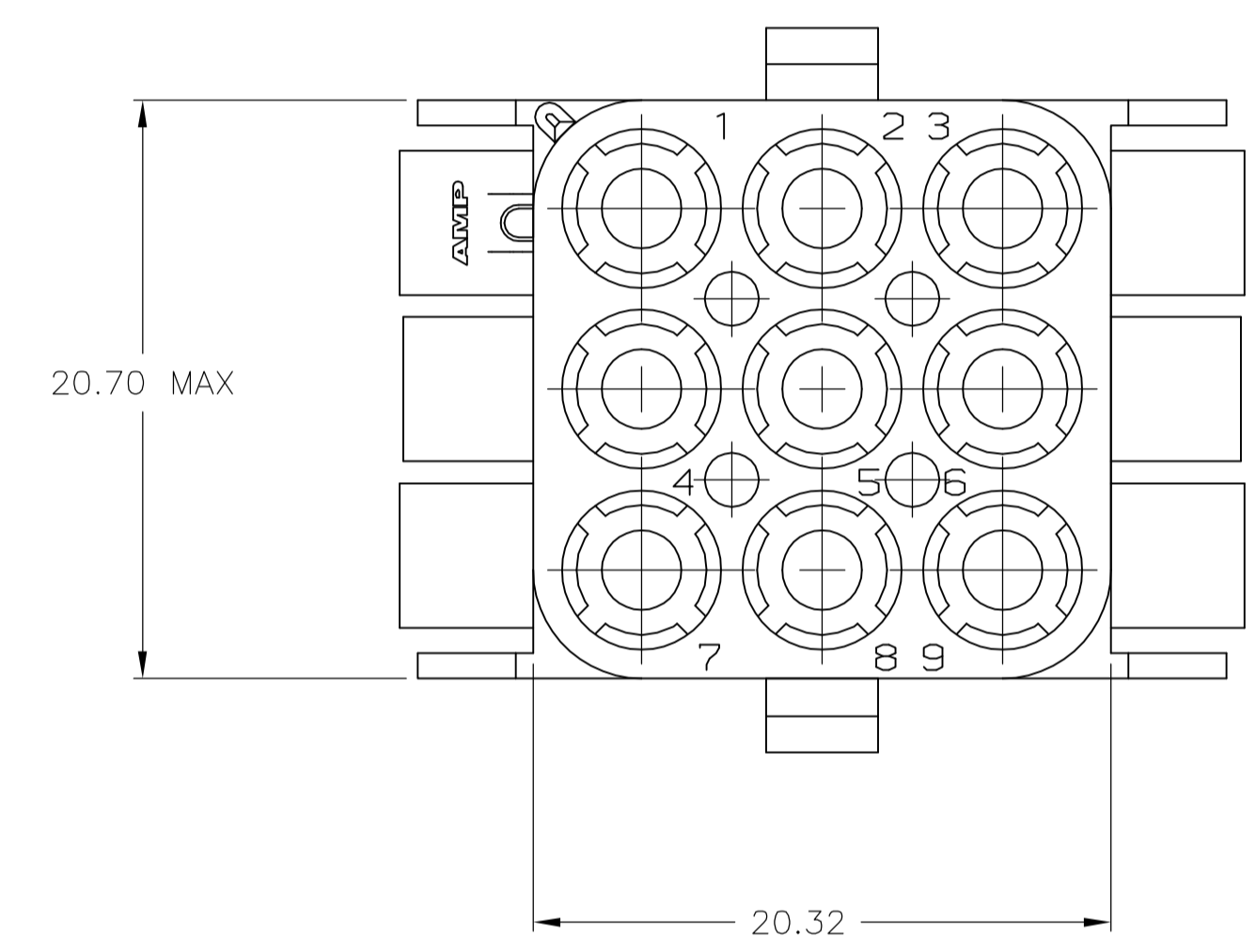
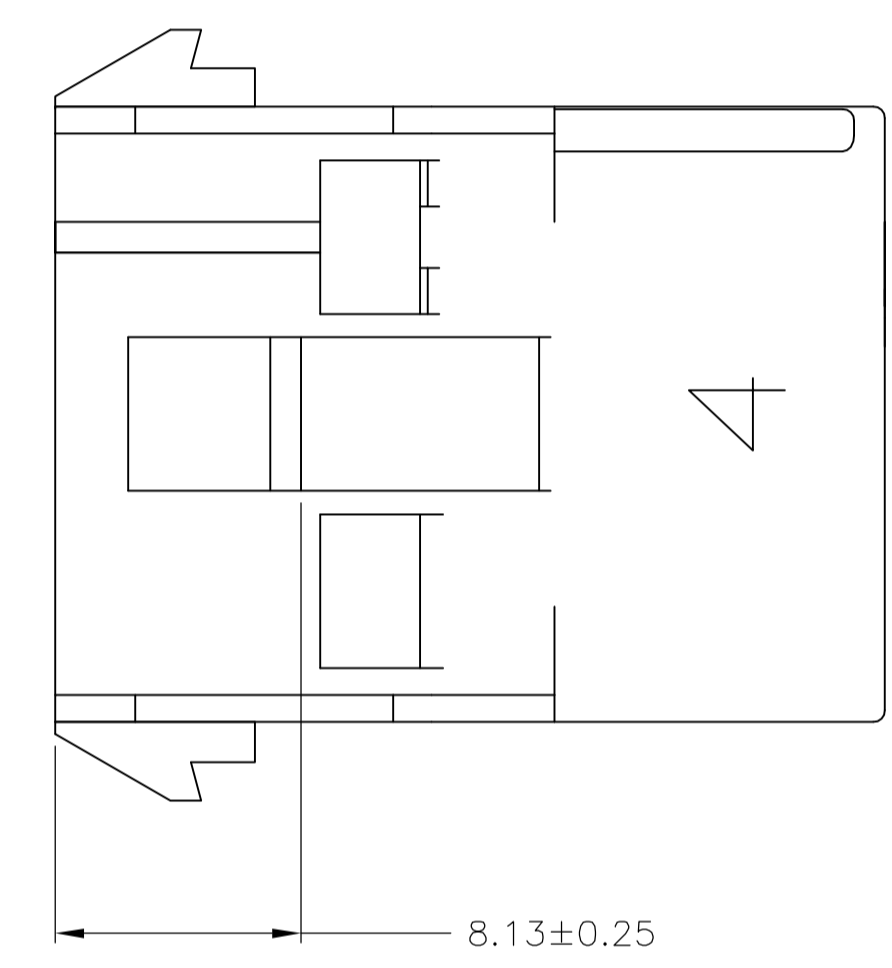
THIS DRAWING IS A CONTROLLED DOCUMENT.

DIMENSIONS:	TOLERANCES UNLESS OTHERWISE SPECIFIED:	DWG	K. WHITAKER	29JUL04		Tyco Electronics Corporation Harrisburg, PA 17105-3608			
mm	0 PLC ± - 1 PLC ± - 2 PLC ± 0.13 3 PLC ± - 4 PLC ± - ANGLES ± 0.30°	CHK	S. RIDGILL	29JUL04		NAME	CAP, 9 CIRCUIT, UNIVERSAL MATE-N-LOK(TM)		
		APVD	S. RIDGILL	29JUL04	PRODUCT SPEC	SIZE	CAGE CODE	DRAWING NO	RESTRICTED TO
MATERIAL NYLON, UL94V-2		FINISH	-	-	APPLICATION SPEC	WEIGHT	-	A1 00779	480707
CUSTOMER DRAWING		SCALE		4:1	SHEET		1 OF 2	REV	

LOC		DIST		REVISIONS			
PL	LTR	DATE	BY	APPV	DESCRIPTION	DATE	BY
-	-	-	-	-	SEE SHEET 1	-	-



1. STAMP NUMBERS 3.18 HIGH AT WIRE END OF HOUSING (12 POINT DAVID TYPE); CLARIFICATION MARKS UNDER THE 6 & 9.
2. CHARACTERS TO BE STAMPED ON HOUSING IN A MANNER AS TO BE READ FROM WIRE END ONLY.
3. VIOLET, BLACK, BROWN, AND BLUE COLORED BLOCKS TO BE STAMPED WITH WHITE CHARACTERS. ALL OTHER COLORED BLOCKS TO BE STAMPED WITH BLACK CHARACTERS.



MM	IN	MM	IN
5.08	.200	-	-
4.70	.185	27.43	1.080
3.18	.125	25.91	1.020
0.38	.015	20.70	.815
0.25	.010	20.32	.800
0.13	.005	8.13	.320

CONVERSION TABLE

METRIC

THIS DRAWING IS A CONTROLLED DOCUMENT.

DIMENSIONS: mm	TOLERANCES UNLESS OTHERWISE SPECIFIED:	DWG: K. WHITAKER 29JUL04		Tyco Electronics Corporation Harrisburg, PA 17105-3608
0 PLC ± -	1 PLC ± -	CHK: S. RIDGILL 29JUL04		NAME: CAP, 9 CIRCUIT, UNIVERSAL MATE-N-LOK(TM)
2 PLC ± 0.13	3 PLC ± -	APPV: S. RIDGILL 29JUL04	PRODUCT SPEC: -	SIZE: A1
4 PLC ± -	ANGLES ± 0.30°	APPLICATION SPEC: -	RESTRICTED TO: -	SCALE: 4:1
MATERIAL: NYLON, UL94V-2	FINISH: -	WEIGHT: -	CAGE CODE: 00779	DRAWING NO: C=480707
CUSTOMER DRAWING			SHEET 2 OF 2	REV AK